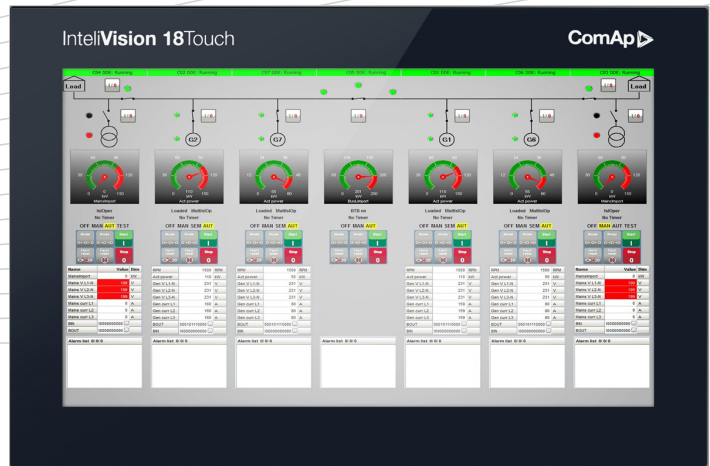


# InteliVision 18Touch



Order code: RD31840PBIE

## 18.5" display unit for ComAp controllers

# Datasheet

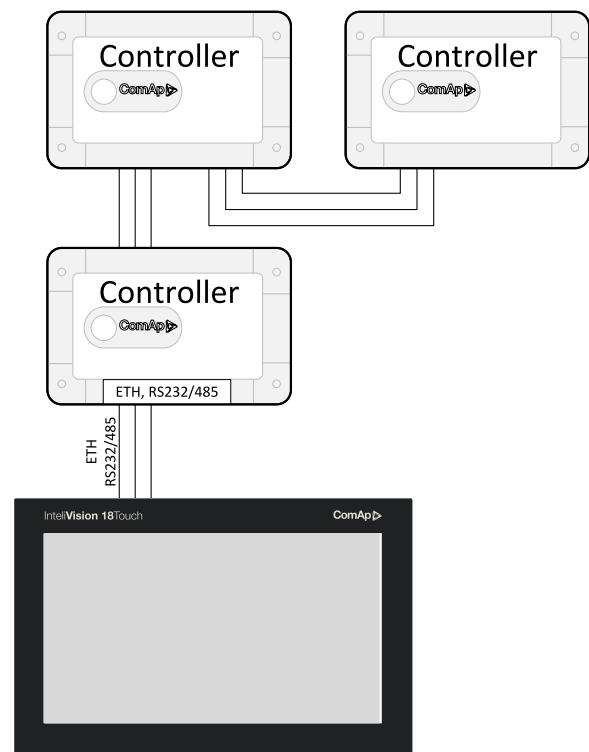
### Product description

The new InteliVision 18Touch is the natural successor to the InteliVision 17Touch. It is designed as an easy-to-use Windows based panel suitable for use with a wide range of ComAp controllers. InteliVision 18Touch features 18.5" LED backlit projected capacitive touchscreen with a resolution of 1366x768 pixels. Its front protection complies with IP66 and operating temperature extends from -10 °C to +60 °C. Smooth operation is ensured by powerful Intel processor. It is possible to connect it to ComAp controllers using Ethernet or RS232/RS485. Both mounting into a panel and onto a wall (VESA standard) are possible.

### Key features

- ▶ Powerful Intel® Celeron® quad core processor J1900
- ▶ Multitouch projected capacitive display
- ▶ 3 × USB, 2 x mini-PCIe sockets, 1 × CFAST, 2 × RS232/422/485
- ▶ 32 GB SSD
- ▶ Front protection compliant with IP66
- ▶ Mounting support: panel/wall/stand/VESA 100mm × 100mm
- ▶ Power input 12-30 V DC
- ▶ Windows operating system

### Application overview



## Technical data

### Power supply

|                    |           |
|--------------------|-----------|
| Power Supply Range | 12-30 VDC |
|--------------------|-----------|

### Operating conditions

|                       |   |
|-----------------------|---|
| Operating Temperature | -10°C to 60°C   |
| Storage Temperature   | -20°C to 75°C   |
| Vibration             | IEC 68 2-64 (w/ HDD)<br>1Gms @ sine, 5~500Hz,<br>1hr/axis (HDD operating)<br>2Gms @ sine, 5~500Hz,<br>1hr/axis (CFast operating)<br>2.2Gms @ random<br>condition, 5~500Hz,<br>0.5hr/axis<br>(non-operating) |
| Humidity              | 10%~90% relative humidity<br>(non-condensing)   |
| Shock                 | IEC 68 2-27<br>HDD: 20G@wall mount, half<br>sine, 11ms  |

### Interfaces

|          |  |
|----------|--|
| Rear I/O | 2 × RS232/422/485<br>2 × USB 2.0<br>1 × USB 3.0<br>VGA port: 1 × DB15<br>Audio port: 1 × Line-out<br>Ethernet: 2 × RJ45, 10/100/1000 Base-Tx |
|----------|--|

### System

|                |  |
|----------------|--|
| CPU            | Intel® Celeron® quad core J1900 2.0<br>GHz (2.42 GHz turbo boost)                |
| Memory         | 4 GB RAM   |
| Storage Device | 1x 32 GB Solid-state-drive<br>1x External locked CFast socket                    |
| Expansion      | 2 x mini-PCIe sockets<br>support optional Wi-Fi,<br>3.5G module or fieldbus card |

### LCD specification

|                |                       |
|----------------|-----------------------|
| LCD panel      | 18,5" TFT-LCD         |
| Resolution     | 1366 x 768 px         |
| Luminance      | 300 cd/m <sup>2</sup> |
| Contrast Ratio | 1000                  |
| Viewing Angle  | 170° (H) / 160° (V)   |
| Backlight      | LED                   |

### Touchscreen

|                      |  |
|----------------------|--|
| Type                 | Ten points P-Cap<br>(Projected Capacitive Touch) |
| Light Transmission   | 87%  |
| Anti-scratch Surface | 7H hardness                                      |

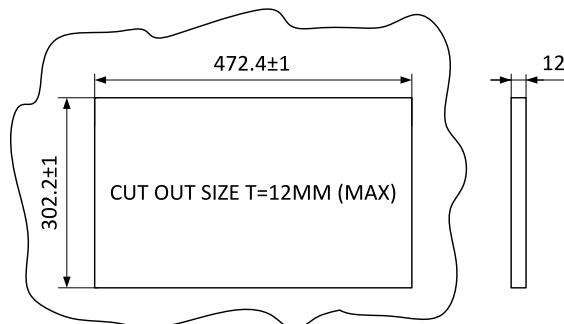
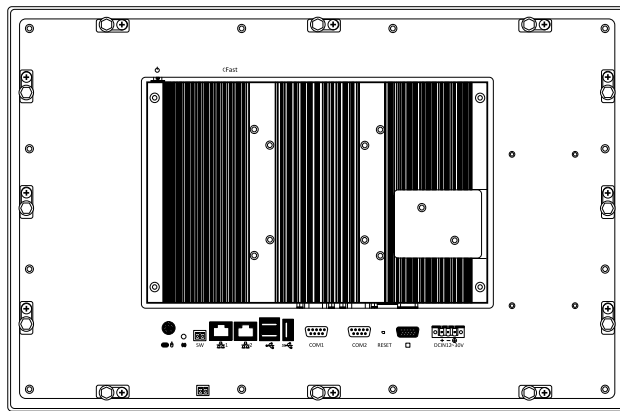
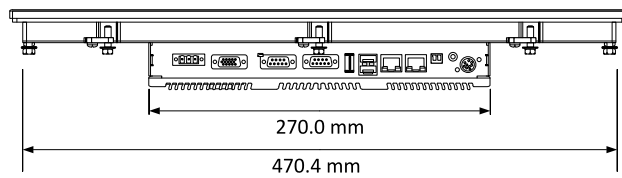
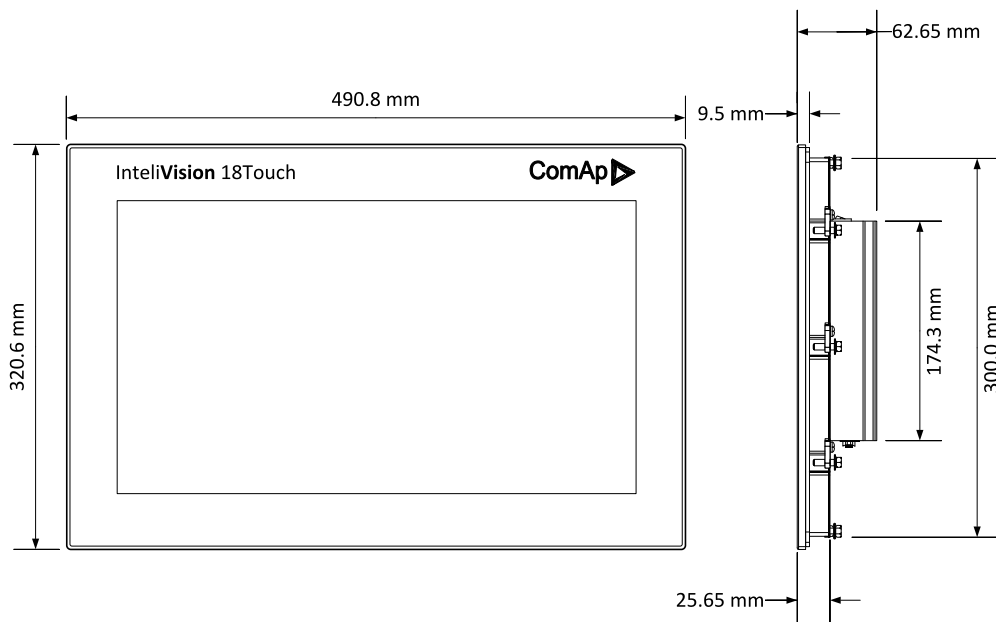
### Mechanical

|            |                                     |
|------------|-------------------------------------|
| Housing    | IP66 (front)                        |
| Mounting   | panel/wall/stand/VESA 100mm x 100mm |
| Weight     | 8.2 kg                              |
| Dimensions | 490.8 x 320.6 x 62.65mm             |

### Operating system

|    |                             |
|----|-----------------------------|
| OS | Windows Embedded Standard 7 |
|----|-----------------------------|

## Dimensions, terminals and mounting



## Related products

| Product                            | Description  | Order code                    |
|------------------------------------|--|-------------------------------|
| InteliSys Gas                      | Industrial grade controller for gas gen-set based CHPs and power generation applications | <a href="#">I2GASXXBAB</a>    |
| InteliSys <sup>NTC</sup> BaseBox   | Premium Parallel Gen-set Controller  | <a href="#">IS-NTC-BB</a>     |
| InteliGen <sup>NTC</sup> BaseBox   | Complex Parallel Gen-set Controller  | <a href="#">IG-NTC-BB</a>     |
| InteliMains <sup>NTC</sup> BaseBox | Mains Supervision Controller Base Unit   | <a href="#">IM-NTC-BB</a>     |
| InteliGen <sup>NT</sup>            | Complex Parallel Gen-set Controller  | <a href="#">IG-NT GC</a>      |
| InteliSys <sup>NTC</sup> Hybrid    | Hybrid system controller   | <a href="#">IS-NTC HYBRID</a> |
| InteliMains <sup>NT</sup>          | Mains Supervision Controller   | <a href="#">IM-NT GC</a>      |
| InteliDrive DCU Marine             | Modular Certified Engine Controller for Marine Applications                              | <a href="#">ID-DCU MARINE</a> |
| InteliGen <sup>NT</sup> BaseBox    | Complex Parallel Gen-set Controller with Detachable Colour Display                       | <a href="#">IG-NT-BB</a>      |
| InteliLite <sup>NT</sup> MRS 15    | Manual Remote Start (MRS) Gen-set Controller   | <a href="#">IL-NT MRS15</a>   |
| InteliCompact <sup>NT</sup> MINT   | Genset Controller for Gensets in Multiple Parallel Applications                          | <a href="#">IC-NT MINT</a>    |
| InteliLite AMF 25                  | New generation of the most advanced Auto Mains Failure (AMF) gen-set controller          | <a href="#">IL3AMF25BAA</a>   |

## Certificates and standards

|   |  |   |  |
|---|--|---|--|
| <ul style="list-style-type: none"> <li>▶ CE               <ul style="list-style-type: none"> <li>● included EN 61000-6-2</li> <li>● included EN 61000-6-4</li> </ul> </li> <li>▶ FCC class A</li> </ul> |  |  |  <p>I.T.E<br/>15CR<br/>E465230</p> |
|---|--|---|--|

